



## PONTOON FURNITURE ASSEMBLY INSTRUCTIONS

**Hardware Package:** 1" Base screws, 4" threaded posts, fender washers, lock washers and wing nuts.

**Tools Required:** Matching pattern Phillips head hand or power screwdriver. Pliers.

**NOTE: USE PLIERS TO REMOVE PLASTIC CORNER GUARDS INCLUDING ANY PROTRUDING STAPLES**

### All 27", 36", 45", 50" Straight Benches & all 45" Corner Couches

#### Assembling Seat Bottom Cushion to Plastic Base

1. Remove the hinge from the seat cushion bottom by removing the screws. Take note of the hinge placement for correct re-placement of hinge on the base and bottom.
2. Place the hinge onto the seat base and insert the 1" base screws in the 3 pre-drilled holes in the seat base. Screw down but do not tighten yet.
3. Turn the seat base so that the front of the base is facing down.
4. Place the seat bottom next to the base to re-attach the 3 screws removed from the hinge in step one. **Start screws by hand only.** Once started, screw down but again do not tighten.
5. First tighten the 3 base hinge screws into the base. Second, tighten the screws in the seat bottom cushion.  
**Important to tighten in this order!**

### All 27", 36", 45", 50" Straight Benches, All 25" - 32" Seats & All 45" Corner Couches

#### Assembling Seat Back to Base

- 1: Locate threaded inserts in the bottom of the seat back. 27" & 36" Bench have 2 inserts, 45" bench 3 inserts, 50" bench 4 inserts, 45" corner couch 4 inserts, 25" & 32" corners 4 inserts.
- 2: Hand Screw 4" threaded posts in inserts about half way or until they stop.
- 3: Place back into recessed channel in seat base. Posts must protrude base openings to secure.
- 4: Place in order fender washer, lock washer, wing nut onto post and tighten securely.

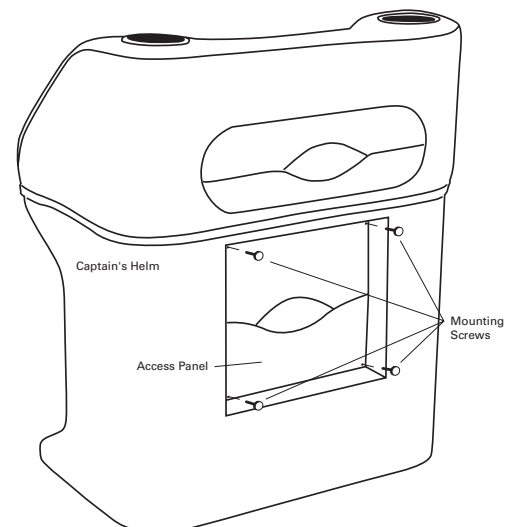
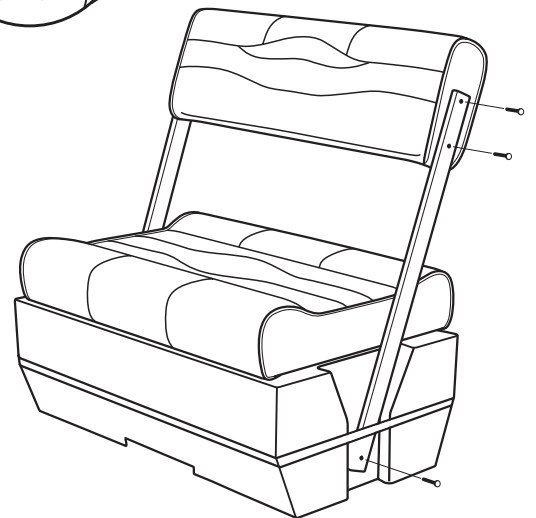
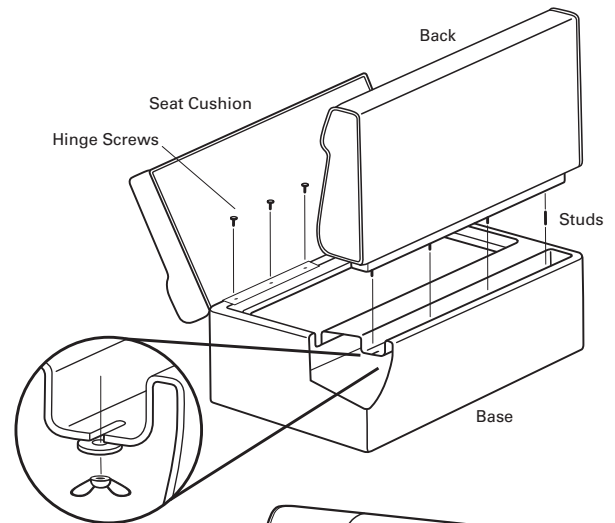
#### Standard & 72 Quart Cooler Flip-Flop Assembly

- 1: Follow instructions from Bench assembly to attach hinge to seat base and seat bottom cushion.
- 2: Remove the four, 1" screws from back cushion. Look on both sides for 2 openings in the vinyl.
- 3: Screw support bars into back cushion using the 4 screws removed from back cushion. Hand start to protect insert threads. Then tighten securely.
- 4: Attach support bar to bottom of base using the 2 screws provided in hardware pack. Hand start and then tighten securely.

#### Steering Console

- 1: Remove the 4 screws in the front access panel to access inside of console. Consult your marine professional to install gauges, steering wheel, cables, throttle box, and electrical wiring.

To install furniture onto your pontoon consult your marine professional for removal of current furniture and installation of new furniture.



### Missing Hardware or Questions?

Call 1-866-296-8259 Savannah, TN Monday-Friday 8 am to 4 pm Central time