

WISE

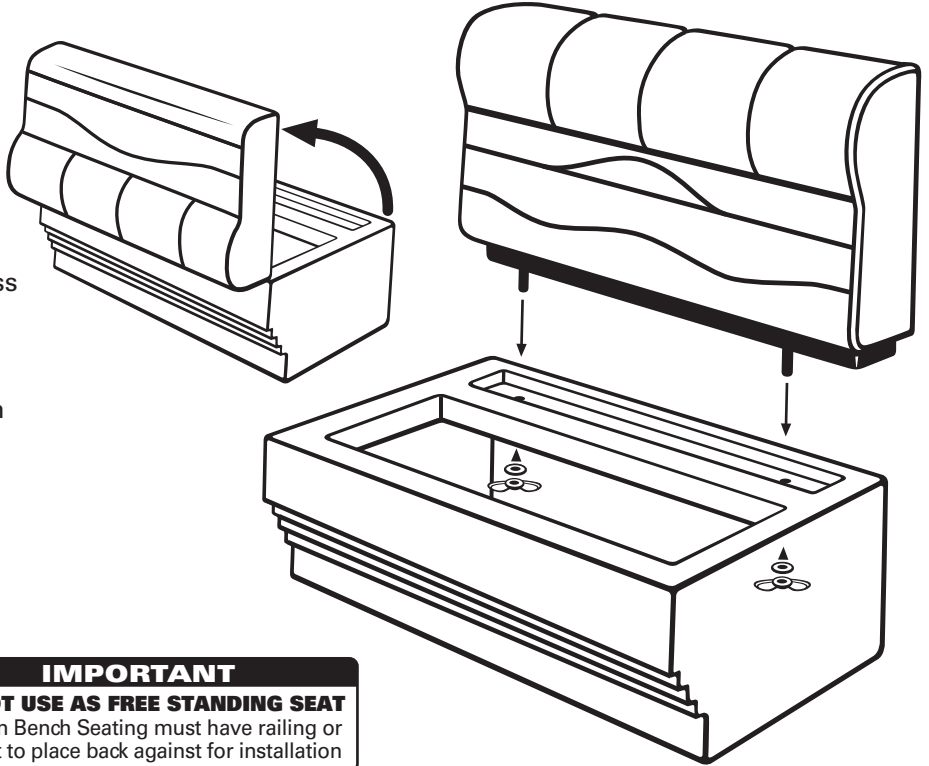
PONTOON ASSEMBLY INSTRUCTIONS

27"- 36"- 45"- 50" Bench & Corner Section

PACKAGE CONTENTS

Two cartons containing a seat cushion, base, backrest and hardware.

- The only tools needed are a pair of pliers and a Phillips screwdriver.
- Seat cushion must be attached to the front of the base. Flip up to install backrest.
- The backrest will slide directly into the recess located at the back of the base.
- To permanently attach backrest, screw the 1/4" x 2" studs into back. Push back through holes in base. Put washers and wing nuts on studs and tighten.



NOTE

TO AVOID CROSS-THREADING OF FASTENERS PLEASE START ALL SCREWS BY HAND

IMPORTANT

DO NOT USE AS FREE STANDING SEAT
Pontoon Bench Seating must have railing or support to place back against for installation

Flip-Flop Seat

PACKAGE CONTENTS

Back cushion, seat cushion, base and hardware.

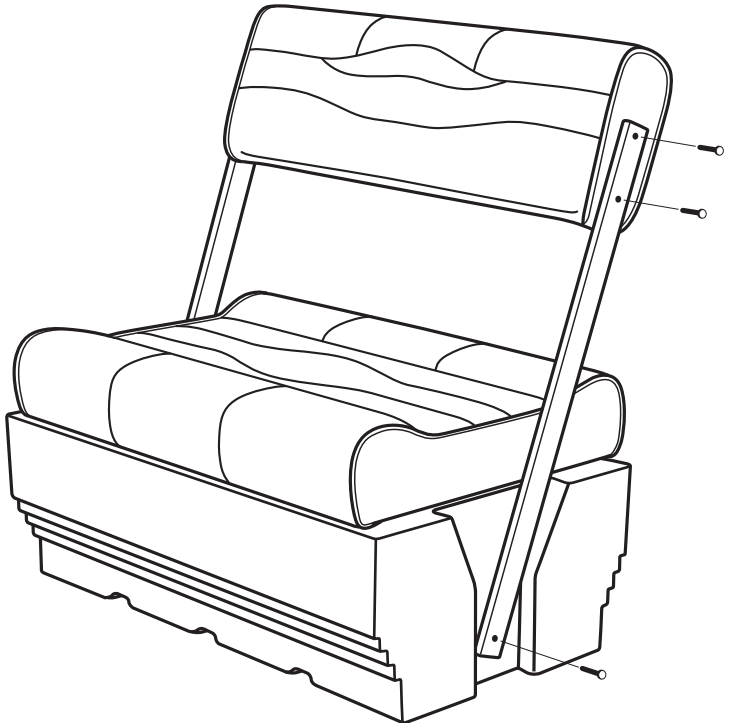
Attach Swing Arm Assembly to Base

- Attach uprights and washer using 1-1/2" screw, tighten securely.

Attach Swing Arm Assembly to Back

- Using 1-1/2" screws, mount back to uprights, tighten assembly.

Use seat cushion instructions above for flip flop seat.



Questions? Missing Parts?
Call 1.800.759.5769

Above items are not manufactured for commercial use.

WF 1133
3.25.07

THE WISE COMPANY

MANUFACTURERS OF QUALITY MARINE SEATING SINCE 1960

472 WEST 9TH ST., RECTOR, AR 72461 • TOLL FREE TEL: 1.800.759.5769 • www.wiseseats.com