

WISE

LOUNGE ASSEMBLY INSTRUCTIONS

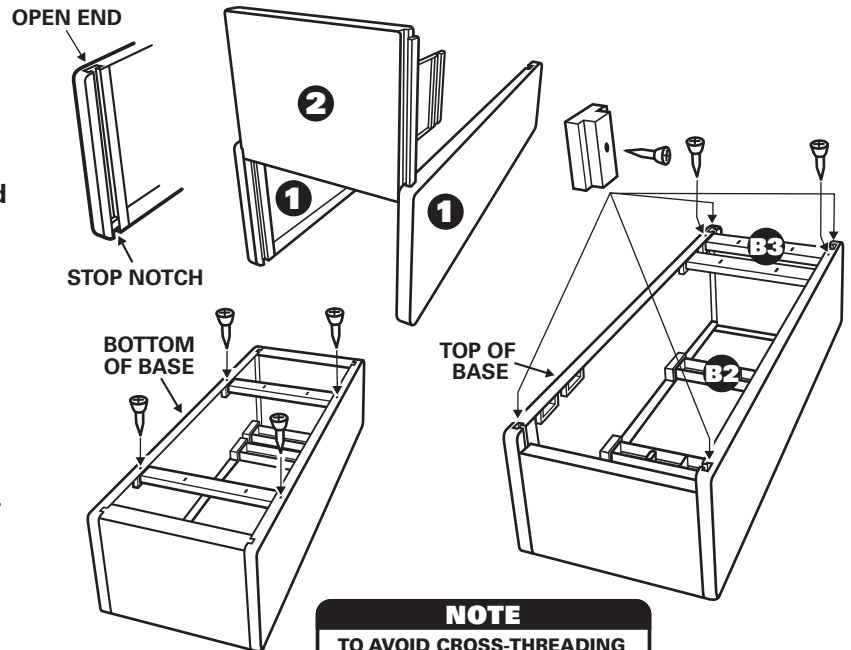
MODEL NO'S.

• Applicable for all Lounge Seats

• Phillips head screwdriver is the only tool required

BASE ASSEMBLY

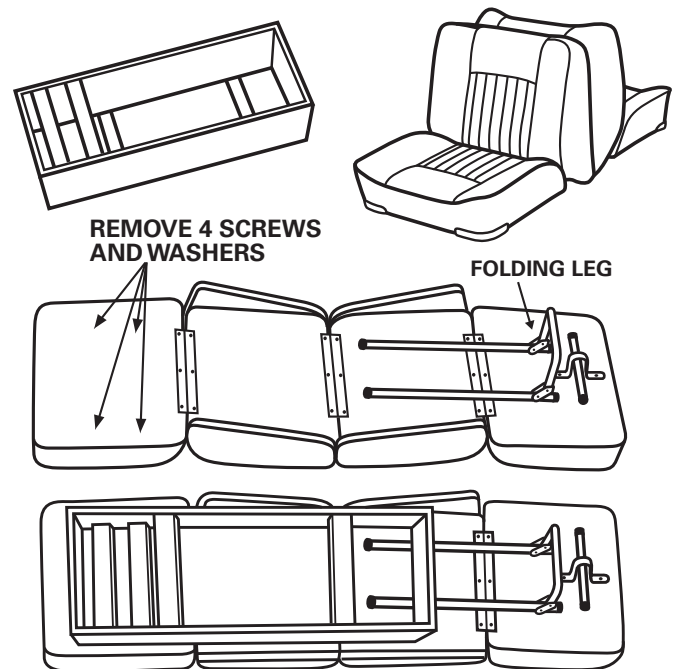
- A** • Set up side panels **1** parallel to each other. **NOTE:** Open end up, stop notch on bottom.
- Slide front panel **2** into notch on both side panels simultaneously. **NOTE:** Just do one end.
- B** • Working toward open end, from front panel, insert black spacer bars into one side panel, two on bottom **B2**, two on top **B3** on either end.
- Insert other end of black spacer bars into opposite side panel.
 - Squeeze side panels together snugly
 - Slide other front panel into open end
- C** • Slide screw holding blocks into remaining space of front panel's insertion slots.
- Insert screws into pre-drilled holes in holding blocks and screw through block into side panel.
 - Secure black spacer bar by screwing through pre-drilled holes on top of side panels.
 - Carefully turn the lounge over and secure black spacer bars through pre-drilled holes in bottom of side panels



NOTE
TO AVOID CROSS-THREADING
OF FASTENERS PLEASE START
ALL SCREWS BY HAND

ONE WAY OPENING LOUNGE ASSEMBLY

- Lay the lounge cushions out fully extended, with the cushion side down.
- On the end of the lounge cushions opposite the aluminum leg, remove the 4 screws & washers.
- Top of the base has two cross sections with two holes each.
- Line up the four holes with the four threaded holes in the back of the lounge cushion.
- Place the four 2-1/4" screws and washers through the base into the threaded holes in the lounge cushion.
- Finger tighten until you get the bolts started. Finish tightening the four screws until you have a snug fit. This will complete all necessary assembly.
- Carefully turn the completed lounge over until the base is supporting the cushions. You will then be able to fold the lounge cushions into the base in it's upright position.
- The lounge is now ready for installation in the boat.



Questions? Missing Parts?
Call 1.800.759.5769

Above items are not manufactured
for commercial use.

THE WISE COMPANY
MANUFACTURERS OF QUALITY MARINE SEATING SINCE 1960

WF 1136

472 WEST 9TH ST., RECTOR, AR 72461 • TOLL FREE TEL: 1.800.759.5769 • www.wiseseats.com