

SWINGBACK COOLER/LIVEWELL ASSEMBLY INSTRUCTIONS

WD437SS

LIVEWELL COOLER SEAT

PACKAGE CONTENTS

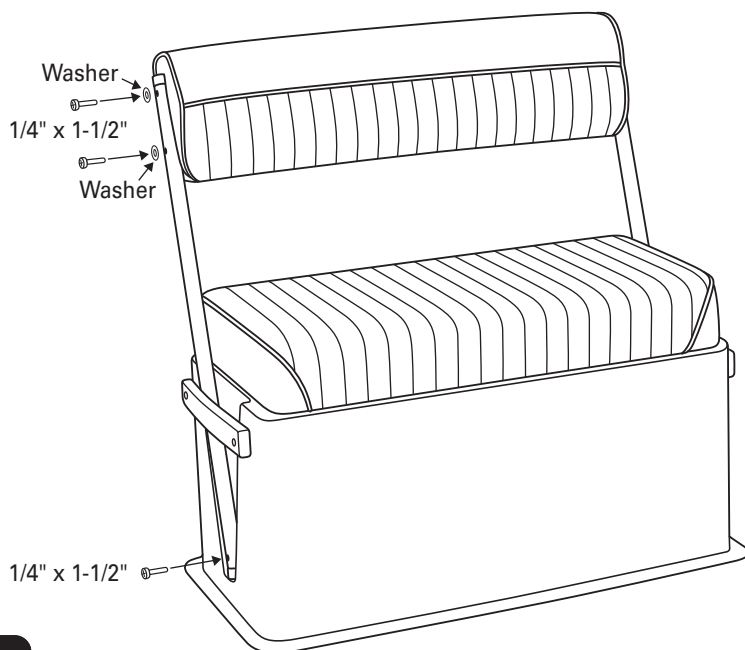
Back cushion, seat cushion, base and hardware

Attach Swing Arm Assembly to Base

- Attach uprights and washer using 1-1/2" screw, tighten securely.

Attach Swing Arm Assembly to Back

- Using 1-1/2" screws and 5/8" washer mount back to uprights, tighten assembly.



NOTE

TO AVOID CROSS-THREADING OF FASTENERS PLEASE START ALL SCREWS BY HAND

WD156

70 QUART SWINGBACK COOLER SEAT

WD159

50 QUART SWINGBACK COOLER SEAT

PACKAGE CONTENTS

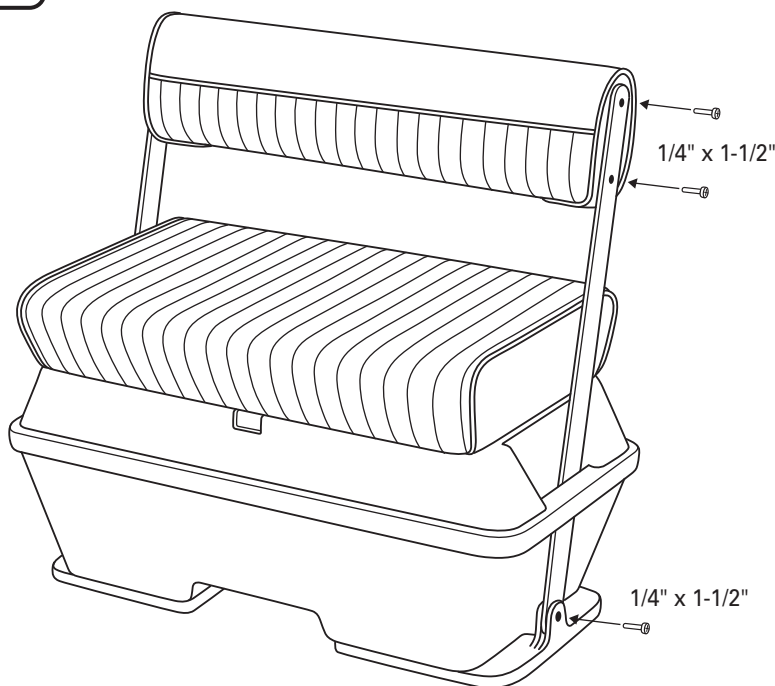
Back cushion, seat cushion, base and hardware

Attach Swing Arm Assembly to Base

- Attach uprights and washer using 1-1/2" screw, tighten securely.

Attach Swing Arm Assembly to Back

- Using 1-1/2" screws, mount back to uprights, tighten assembly.



Questions? Missing Parts?
Please contact store from which it was purchased

Above items are not manufactured for commercial use.