



Installing A Carver Bimini Top

Carver Bimini Tops are a classy way to protect yourself and your boat from the elements. They also add style and color to your boat. These instructions make assembly and installation easy. Please read them carefully before beginning.

How To Prolong The Life Of Your Bimini Top

- Avoid letting water or snow stand on the top.
- Always travel with top in the stored position.
- Allow Bimini Top to dry thoroughly before folding for storage.

Carver Limited Warranty

The materials and workmanship in Carver products are guaranteed to be free of defects at time of manufacture. The length of the warranty is determined by the type of material ordered. Please visit our website, www.carvercovers.com, for more information on length of warranty for each of our bimini top fabrics.

Warranty coverage commences on the original date of purchase. The warranty does not cover normal wear, weather soiling, stains from environmental pollution and/or standing water, cuts from sharp objects, neglect, accident or misuse. The bimini top must be properly installed, utilized and maintained.

If a defect is detected within 12 months of date of purchase, Carver will repair or replace (at its discretion) the product free of charge.

If a defect is detected after 12 months and up to 36 months from date of purchase for three-year warranties, and up to 60 months from date of purchase for five-year warranties, Carver will (at its discretion) repair the defect on a time and material cost basis or replace the product on a pro-rated basis. Carver and/or seller provide this warranty in lieu of all other warranties, expressed or implied. Carver and/or seller disclaim all liability for special, incidental or consequential damages.

Some states/provinces do not allow limitations on how long an implied warranty lasts, or the exclusion or limitation of special, incidental or consequential damages, so these limitations and exclusions may not apply to you. This warranty gives you specific legal rights. You may also have other rights which vary from state/province to state/province.

Call before returning product to receive a Return Merchandise Authorization Number (RMA#), then send warranty claims to:
Phone: (864) 457-5820

Mailing Address
 Carver by
 Covercraft Industries, LLC
 Post Office Box 399
 Landrum, SC 29356

Shipping Address
 Carver by
 Covercraft Industries, LLC
 212 North Lyles Ave.
 Landrum, SC 29356

Please enclose a note describing the defect and be sure to include your full name and address inside the package.



! Please take extra care when unpacking and assembling your bimini top. Should you need to return the bimini top, it **MUST** be in its original, new condition. The bimini top canvas must be clean and dry, and free of debris (including pet hair). Frame components must not be scratched.

Important: Make sure all parts are included in your Bimini Top package. The quantities listed below are the quantities of parts needed based on the size of the top that was ordered. You may receive additional parts that are not needed for your particular size of bimini top. **! FOR STAINLESS STEEL TOPS AND SQUARE TUBE PONTOON TOPS, PLEASE REFER TO THE SUPPLEMENTAL INSTRUCTIONS ON PAGE 5 WHICH EXPLAIN ALTERNATE PARTS NOT LISTED BELOW.**

PARTS LIST: Item	Quantities for:			
	2 Bow Tops	3 Bow Tops	4 Bow Tops	4-Bow Square Tube Tops
No. 8 screws, 1/2" length	12	16	20	20
No. 10 screws, 1" length	12	12	12	12
Finish Washers	4	4	4	2
Long, metal side bow sections	2	2	2	2
Medium, metal side bow sections	0	2	2	2
Short, metal side bow sections	2	2	4	4
Center metal cross bow sections (equal length)	2	3	4	4
Black, 1" polypropylene hold-down straps	4	4	4	2
Black, 1" polypropylene adjuster straps <i>(packaged with canvas)</i>	0	2	4	4
Bimini Top Canvas	1	1	1	1
Deck Hinges	2	2	2	2
Eye Straps	4	4	4	2
Optional Storage Boot	1	1	1	1
Brace Kit (pair)	0	0	0	1

Minimum tools needed:

Drill with 9/64" bit, a Phillips head and a flat head screwdriver, pencil.

Also helpful: Tape measure or other measuring device.



Polypropylene Adjuster Straps



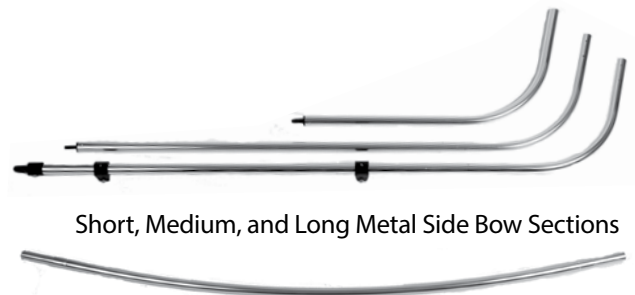
Universal Deck Hinges



Eye Straps



No. 8, No. 10 Screws, and Finish Washers



Short, Medium, and Long Metal Side Bow Sections

Center Metal Cross Bow Section

INSTRUCTIONS FOR CARVER 2 BOW BIMINI TOP

These instructions show how to assemble the top, with its frame and straps, **starting upside down** and inverting to an upright position when attaching to your boat.

Step 1 Identify the hook shaped, long and short metal side bow sections. Using the long side bow sections and one of the center cross bow sections, assemble the side bow and center bow parts as shown, aligning the pre-drilled holes. Use the 1/2", no. 8 screws to connect the bow parts securely.

Repeat this procedure for the short bow, aligning the pre-drilled holes and securing them with 1/2", no. 8 screws.

Caution: If screw heads become burred, cover heads with duct tape or file down screw heads to avoid damage to canvas.

Step 2 Spread the Bimini Top canvas out on a flat, clean area with the bottom side up. Sewn-in label indicates the bottom, or inside, and the back of the top.

Step 3 With the bows assembled, insert the short bow assembly through the sleeve at the front of top. (This is the sleeve opposite the end with the sewn-in tag.) *Note the position of the single pre-drilled holes on the bow frame. (Holes should be facing toward the middle of the canvas.)*

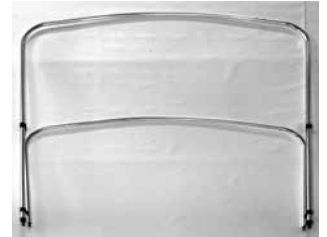
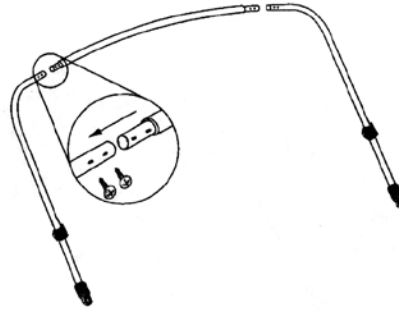
Insert the long bow assembly through the sleeve at the back of the top (nearest the sewn-in tag). *Again, note the position of the single pre-drilled holes on the long bow frame. (Holes should be facing toward the middle of the canvas.)*

Step 4 Pass looped end of each hold down strap over each end of the bows. Use a no. 8, 1/2" screw to fasten straps to bow frame at each pre-drilled hole position as shown. Position strap over hole and insert screw, with finish washer, through center of strap and into pre-drilled hole.

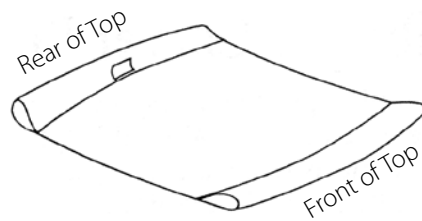
Step 5 Connect short frame ends to jaw slides on each side of long bow frame. Frame ends can be rotated to align with jaw slides. Jaw slides should allow bows to pivot, but be tight enough to hold securely.

See page 7 of this instruction sheet for mounting the Bimini Top onto your boat.

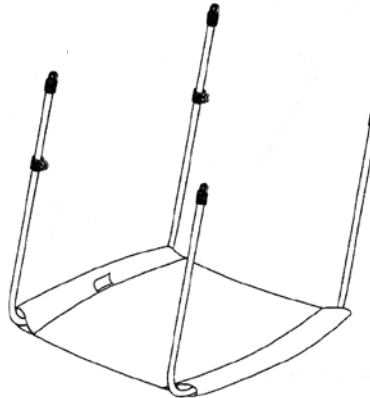
①



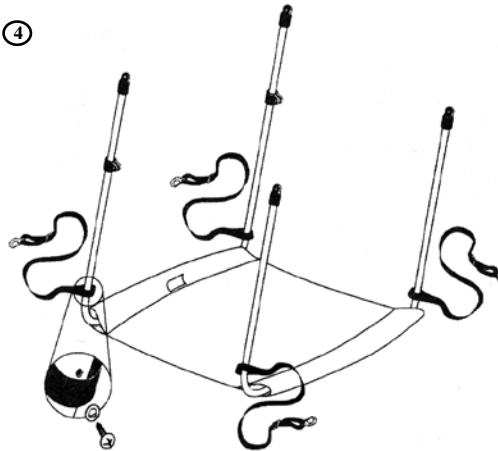
②



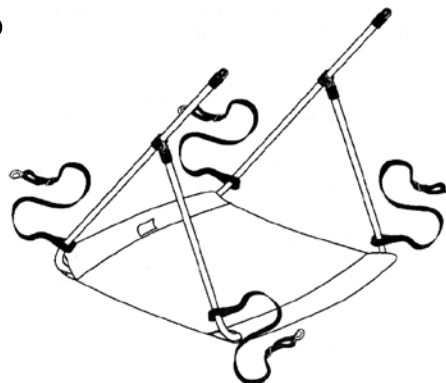
③



④



⑤



Scan code to watch our online assembly video.



INSTRUCTIONS FOR CARVER 3 BOW BIMINI TOP

These instructions show how to assemble the top, with its frame and straps, **starting upside down** and inverting to an upright position when attaching to your boat.

FOR STAINLESS STEEL TOPS, PLEASE REFER TO THE SUPPLEMENTAL INSTRUCTIONS ON PAGE 5

Step 1 Identify the hook shaped, long, medium, and short metal side bow sections. Using the long side bow side sections, and one of the center cross bow sections, assemble the side bow and center bow parts as shown, aligning the pre-drilled holes. Use the 1/2", no. 8 screws to connect the bow parts securely.

Repeat this procedure for the medium and short bows, aligning the pre-drilled holes and securing them with 1/2", no. 8 screws.

Caution: If screw heads become burred, cover heads with duct tape or file down screw heads to avoid damage to canvas.

Step 2 Spread the Bimini Top canvas out on a flat, clean area with the bottom side up. Sewn-in label indicates the bottom, or inside, and the back of the top.

Step 3 With the bows assembled, insert the medium bow assembly through the sleeve at the front of top. (This is the sleeve opposite the end with the sewn-in tag.) *Note the position of the single pre-drilled holes on the bow frame. (Holes should be facing toward the middle of the canvas.)*

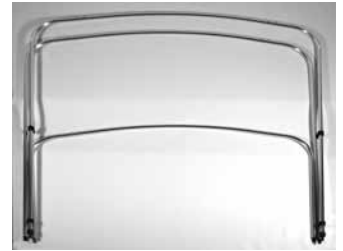
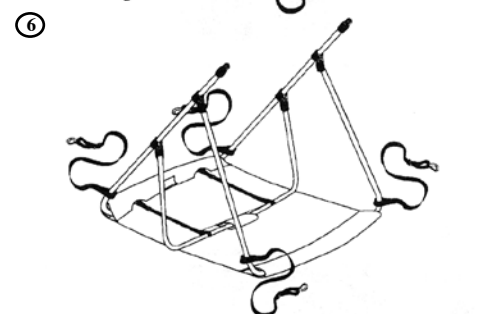
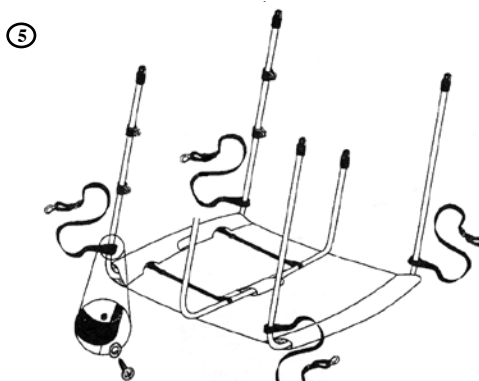
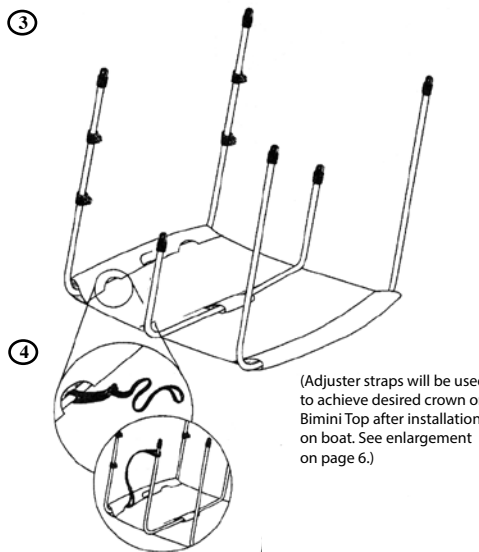
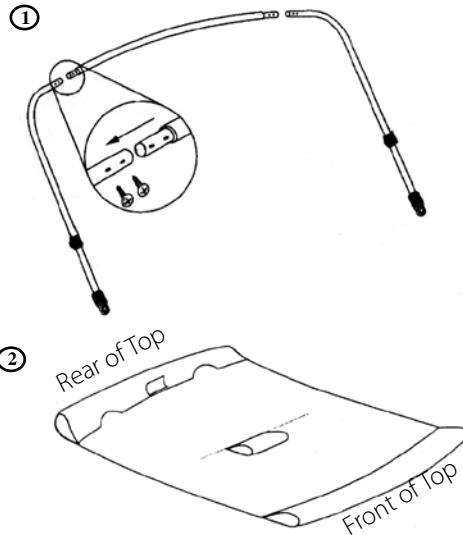
Insert the short bow assembly through the small sleeve in the center of the top and the long bow assembly through the sleeve at the back of the top (nearest the sewn-in tag). *Again, note the position of the single pre-drilled holes on the long bow frame. (Holes should be facing toward the middle of the canvas.)*

Step 4 Pass the buckled end of the adjuster strap through opening in the fabric and around the long bow. Thread looped end through buckle. Attention should be paid to the orientation of the strap and buckle so that the finished piece resembles photo A. Pass the looped end of the strap over the end of the short bow and slide down into position directly across from opening in fabric where buckled end is attached. (See illustration.) Leave at maximum length. Repeat this step for the second strap. See enlargement.

Step 5 Pass looped end of each hold down strap over each end of the long and medium bows. Use a no. 8, 1/2" screw to fasten strap to bow frame at each pre-drilled hole position as shown. Position strap over hole and insert screw, with finish washer, through center of strap and into pre-drilled hole.

Step 6 Connect short frame ends to jaw slides on each side of long bow frame. Frame ends can be rotated to align with jaw slides. Repeat for medium frame ends as shown. Jaw slides should allow bows to pivot, but be tight enough to hold securely.

See page 7 of this instruction sheet for mounting the Bimini Top onto your boat.



(Adjuster straps will be used to achieve desired crown on Bimini Top after installation on boat. See enlargement on page 6.)

Scan code to watch our online assembly video.

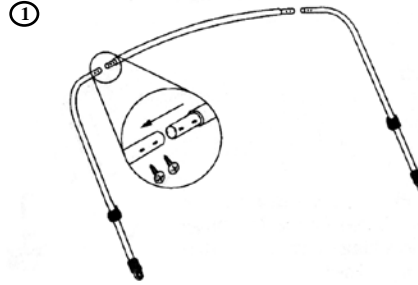


INSTRUCTIONS FOR CARVER 4 BOW BIMINI TOP

These instructions show how to assemble the top, with its frame and straps, **starting upside down** and inverting to an upright position when attaching to your boat.

FOR STAINLESS STEEL TOPS, PLEASE REFER TO THE SUPPLEMENTAL INSTRUCTIONS ON PAGE 5

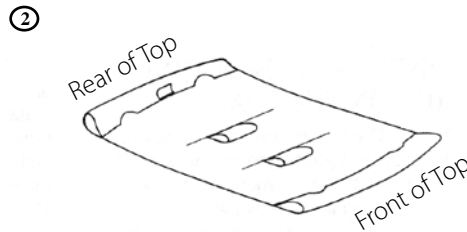
Step 1 Identify the hook shaped, long, medium, and short metal side bow sections. Using the long side bow sections, and one of the center cross bow sections, assemble the side bow and center bow parts as shown, aligning the pre-drilled holes. Use the 1/2", no. 8 screws to connect the bow parts securely.



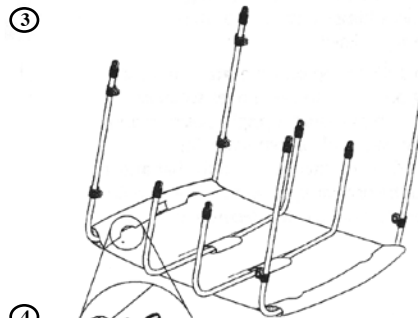
Repeat this procedure for the medium and short bows, aligning the pre-drilled holes and securing them with 1/2", no. 8 screws.

Caution: If screw heads become burred, cover heads with duct tape or file down screw heads to avoid damage to canvas.

Step 2 Spread the Bimini Top canvas out on a flat, clean area with the bottom side up. Sewn-in label indicates the bottom, or inside, and the back of the top.



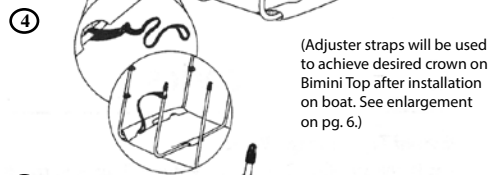
Step 3 With the bows assembled, insert the medium bow assembly through the sleeve at the front of top. (This is the sleeve opposite the end with the sewn-in tag.) *Note the position of the single pre-drilled holes on the bow frame. (Holes should be facing toward the middle of the canvas.)*



Insert the short bow assemblies through the small sleeves in the center of the top and the long bow assembly through the sleeve at the back of the top (nearest the sewn-in tag). *Again, note the position of the single pre-drilled holes on the long bow frame. (Holes should be facing toward the middle of the canvas.)*



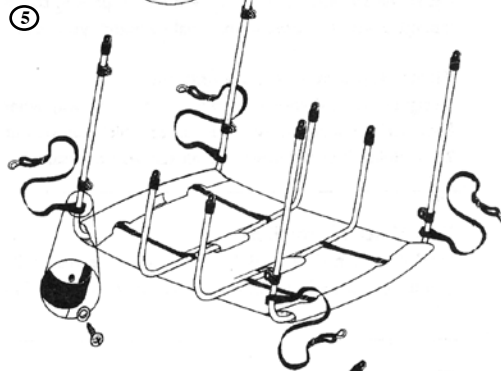
Step 4 Pass the buckled end of the adjuster strap through opening in the fabric and around the long bow. Thread looped end through buckle. Attention should be paid to the orientation of the strap and buckle so that the finished piece resembles photo A. Pass the looped end of the strap over the end of the short bow and slide down into position directly across from opening in fabric where buckled end is attached. (See illustration.) Leave at maximum length. Repeat this step for the second strap then assemble the straps for the front bow. See enlargement.



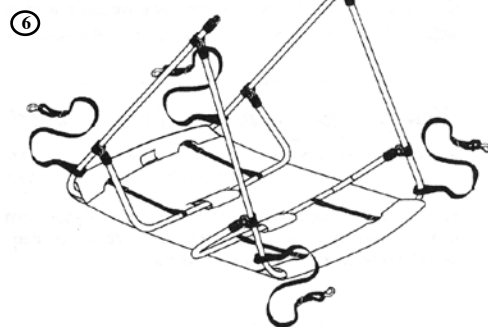
(Adjuster straps will be used to achieve desired crown on Bimini Top after installation on boat. See enlargement on pg. 6.)



Step 5 Pass looped end of each hold down strap over each end of the long and medium bows. Use a no. 8, 1/2" screw to fasten strap to bow frame at each pre-drilled hole position as shown. Position strap over hole and insert screw, with finish washer, through center of strap and into pre-drilled hole.



Step 6 Connect short frame ends to jaw slides on each side of long bow frame. Frame ends can be rotated to align with jaw slides. Repeat for medium frame ends as shown. Jaw slides should allow bows to pivot, but be tight enough to hold securely.



See page 7 of this instruction sheet for mounting the Bimini Top onto your boat.

Scan code to watch our online assembly video.



See page 7 of this instruction sheet for mounting the Bimini Top onto your boat.

Square Tube Pontoon Bimini Top

Follow Instructions for 4-Bow Top
with these exceptions:

Step 7. The long bow has a jaw slide installed to mount the brace kit, instead of the pre-drilled hole for the hold-down strap. (See photo on label.)



Additional Instructions for Buggy-Style Pontoon Top with Tails:

1. To fit tails properly, pull the tails straight down and mark the snap locations onto the rails.
2. Drill 1/8" hole where each snap is marked on the rail. Install supplied screw stud into hole. Repeat for all snaps.
3. Snap tails to the rail.

(Note: the additional hardware (6 screw studs) are included in the fabric package.)

Stainless Steel Frame Supplemental Instructions

The assembly of a stainless steel frame requires the use of rivets instead of screws. For your convenience, a Hand Riveting Tool and all necessary rivets are included with your bimini top. Simple instructions for operating a Hand Riveting Tool are located on the back of the Rivet Tool package. **For your safety, it is highly recommended that you wear safety goggles when operating your Hand Riveting Tool.**

Following the steps provided for a 2, 3 or 4-Bow top, use a 3/16" rivet (provided) where a no. 8, 1/2" screw is specified. Align the pre-drilled holes, place thick end of rivet in hole and nail-end of rivet in rivet tool. Occasionally it may be necessary to tap the rivet in place. Set rivet by compressing handle of rivet tool three times. Rivet will pop and be seated firmly in place. Repeat process at all pre-drilled holes.

Should a rivet seat improperly, it can be drilled out using a 3/16" drill bit. Extra rivets are provided for your convenience.

Caring for your Bimini Top Canvas

To keep your canvas looking its best, regularly brush off any loose dirt with a soft brush and rinse with lukewarm water (100° F maximum). To clean, a solution of lukewarm water and mild natural soap such as Ivory™ may be used. Rinse thoroughly and allow to air dry. The use of detergents is not recommended as it may diminish the water repellent finish on certain fabrics. Never machine wash, dry clean or iron the canvas. To spot clean stubborn soil or stains, a solution of 1/4 cup mild natural soap and 1 cup of bleach per gallon of lukewarm water may be used. Mist the soiled area and clean vigorously with a sponge, soft brush or clean towel. Rinse thoroughly and allow to air dry.

Always fold down and secure bimini top in the stored position when trailering your boat.

Additional Instructions for Adjusting Height of a standard 35" Super Sport or standard 46" 3-Bow Bimini Top.

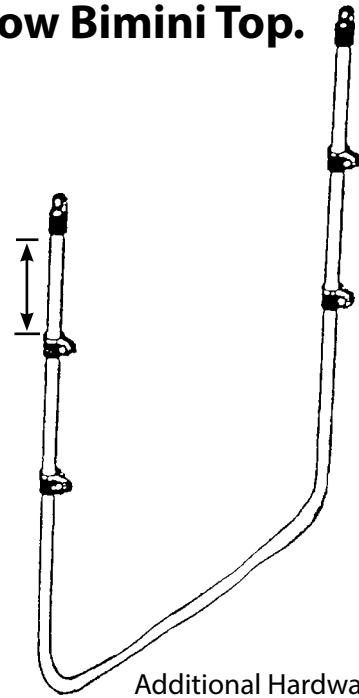
If you wish to shorten the height of the above style bimini tops, you may do so by carefully drilling out the rivets using a 3/16" drill bit. Take caution as to not damage the eye ends. Cut the desired length from the ends of the long bow (see drawing).

Once the bow has been shortened, re-set the eyes by using a 3/16" drill bit to carefully drill the hole for the rivet. Be sure the eye end is set in the correct position before you drill for the rivet. Use a rivet gun to set the rivet in place. Then follow the remaining instructions listed in the instruction sheet.

Note: Be sure all set screws, fittings and pre-installed hardware are tight.

Use hacksaw to cut the desired length. You can remove up to 10" from this section.

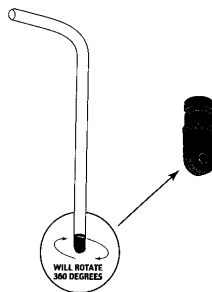
Do not attempt to shorten the short or medium bows.



Additional Hardware Included
2 - 3/16" Rivets

How to Adjust the Inside Eye Ends

- Inside Eye Ends will rotate
- Place a soft cloth over the eye end to avoid marring, and carefully turn the Eye End using a pair of pliers.



Universal Deck Hinge

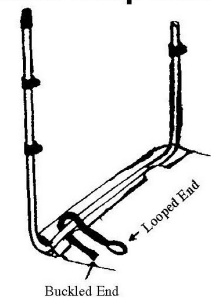
with 90-degree stop allows mounting in virtually any position.

Standard Mount with screw heads to the outside as shown.

For alternate mounting positions, variations may apply.



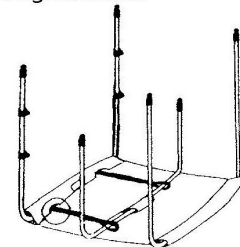
Enlargement - Step 4 3 Bow And 4 Bow Adjuster Strap Illustration



Step 1. Pass the buckled end of the adjuster strap through opening in fabric and around long bow.



Step 2. Thread looped end through buckle.



Step 3. Pass the looped end of the strap over the short bow and slide down into position.

INSTALLING THE BIMINI TOP ON THE BOAT

Step 1. The Bimini Top is now ready to be inverted and positioned on the boat. This is easier with two or more people, one to hold the top in place, while another marks the positions of the hinges to be attached to the gunnel of the boat.

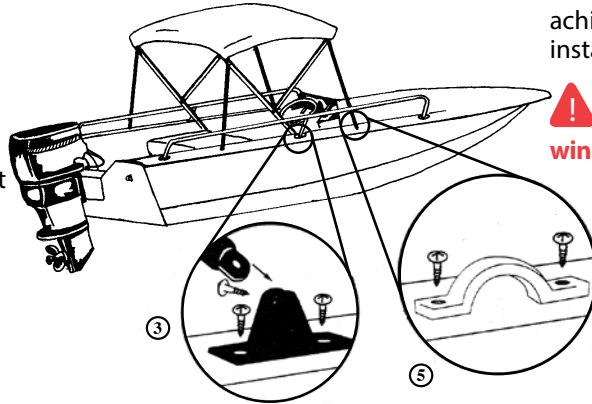
Step 2. Measure the marked position of the hinges carefully to make sure they are exactly opposite each other. If not aligned properly, the top may become warped or damaged and unstable while in use, or look unbalanced.

Step 3. Use a drill with a 9/64" bit to drill the pilot holes for the deck hinges. If drilling into fiberglass hollow out the pilot hole to avoid cracking fiberglass when installing the screws. Secure the deck hinges with 1", no. 10 sheet metal screws provided.

Step 4. Place top on boat, attaching the long bow ends to the hinges securely. Raise top to desired upright position and adjust each hold-down strap. Straps should be adjusted to a length that attaches to the boat at approximately 45° to 60° angles to hold the top securely to boat.

Step 5. Mark the position of the eye straps on the gunnel of the boat, measuring to make sure they are exactly opposite each other on the sides of the boat. Use a drill with a 9/64" bit to drill the pilot holes for the eye straps. Be sure to hollow out the pilot holes with the drill bit if drilling into fiberglass. Secure the eye straps with 1", no. 10 sheet metal screws provided.

Step 6. Attach the snap hook to the eye straps and adjust the hold down straps.



Please Note: The process of assembling the bimini frame may cause the width of the frame to expand or retract at the mounting points. If the frame appears too wide or too narrow when you are ready to mount the top on the boat, simply mount one side and, with minimal force, push or pull the opposite side to fit the mounting point on the gunwale.

Important note to Top Installer/User: Be sure all set screws, fittings and pre-installed hardware are tight.

Desired crown on Bimini Top can be achieved using adjuster straps after installation is complete.

! If mounting your bimini top to a windshield, you may need shorter screws to prevent cracking the windshield. Please call us at 888-48-COVER for shorter screws.

CAUTION: Always fold down and secure bimini top in the stored position when trailering your boat.

Scan code to watch our online video on mounting your top to the boat.



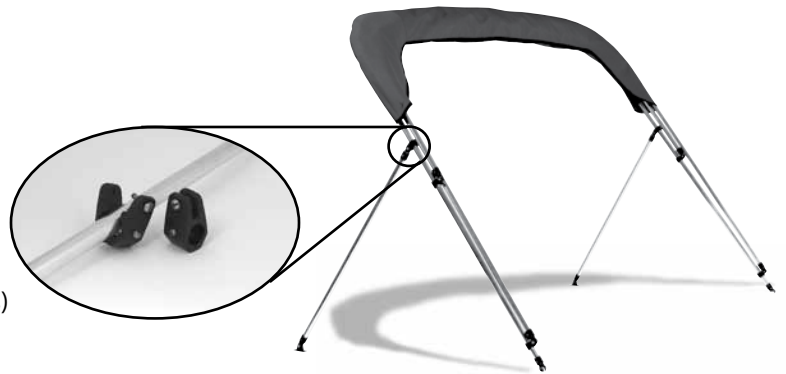
Installing a Carver Brace Kit

Carver Brace Kits are available in:

- Aluminum tubing with Nylon Fittings - Fixed or Adjustable
- Aluminum tubing with Stainless Steel Fittings - Fixed only
- Stainless Steel tubing with Stainless Steel Fittings - Fixed only

All Brace Kit packages contain:

- 2 - Braces
- 2 - 90° Deck Hinges
- 2 - Hinged Jaw Slides w/ screw and bolt
- 4 - #10 x 1" stainless steel screws (for mounting the deck hinges)
- 2 - 3/16" rivets (required only when cutting down braces)



All fixed braces are 48" long. Adjustable braces "telescope" from 22" to 44", the desired length being "set" by a joiner section.

The height of fixed aluminum braces may be adjusted by removing and replacing one eye end on each brace. To remove the eye ends, use a 3/16" drill bit to drill out the rivets. Carefully measure and cut down the tubing to the desired length using a hacksaw. To replace the eye ends, use a 3/16" drill bit to carefully drill the hole for the replacement rivets. Be sure each eye end is set in the correct position before drilling for the rivet. Use a rivet gun to set the rivets in place.

The height of stainless steel braces is best adjusted by moving the mounting location fore or aft on the gunnel (given the hardness of the metal, stainless steel is not easily cut with household tools).

The typical location to attach the braces to the main (long) bow is 2 inches beneath the rear hold down straps.

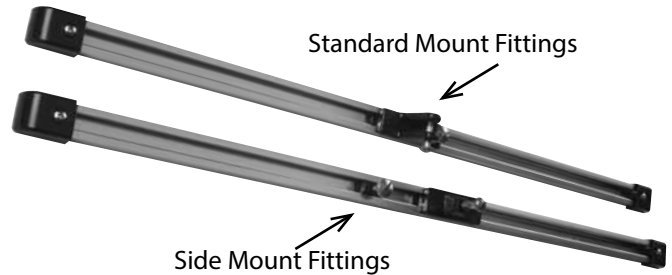
To attach the braces, the bimini top must be deployed (in its upright position). Carefully measure the exact location for the hinged jaw slide on each side of the main (long) bow and mark with a black marker. Be sure the measurement is identical on port and starboard side. Open the hinged jaw slides and fasten each around the main bow at the marked locations by tightening the screw securely. Insert the braces into the jaw slides by inserting the eye ends and securing tightly with the bolts provided. Once the braces are attached to the main bow, determine the mounting locations for the deck hinges. The typical mounting point will create a 45° to 60° angle with the main (long) bow when the braces are mounted to the gunnel. To mount the deck hinges, refer to Steps 2 and 3 in the **Bimini Top Installation Instructions above.**

Installing a Carver Slide Track Kit

Carver Slide Track Kits are available in 18", 24", 36", 48" and 60" lengths to accommodate virtually any boat and bimini top.

All Slide Track Kit packages contain:

- 2 - Aluminum Slide Tracks
- 2 - Sliding Deck Hinges with combined Slide Locks
- 2 - Side-Mount Sliding Deck Hinges
- 2 - Slide Locks (for use with side-mount hinges)
- 4 - End Caps
- All necessary screws for mounting.
- (All screws are #8 x 1" Stainless Steel).



Slide track should be installed on a level surface and may be mounted on top of the gunnel or on the inside of the gunnel (side-mounted).

Determine the location for the slide track. Carefully measure and mark the mounting locations making sure the measurements are identical on port and starboard side so that the tracks will be exactly opposite. Slide tracks are pre-drilled for easy installation.

Use a 1/8" drill bit to drill screw holes. If drilling into fiberglass, it is important to hollow out the drill hole with the drill bit to avoid cracking the fiberglass when screws are tightened. Insert all screws and tighten securely.

Slide the appropriate hinges into the track (combination hinges for standard mount track or side-mount hinges and slide locks for side-mounted track). The locks should be positioned forward of the hinges and tightened to a fixed position. Attach the end caps using the screws provided. The main (long) bow may now be inserted into the track by attaching the eye ends to the deck hinges. Adjust the position of the bimini top by loosening the locks and sliding them into the desired position. Always retighten the slide locks after adjusting the position of the bimini top



Accessories

Need more help? See video demonstrations of assembly and installation procedures on our website, www.carvercovers.com!

Bimini Top Storage Boot

Let in the sun. Our 2, 3, and 4 bow Bimini Tops fold together and out of the way in the protective storage boot. Available in material to match your top.



Bimini Top Braces Also available

Designed to hold your top up and out of the way when top is folded and not in use. Each package includes two 7/8" tubes which can be cut to desired lengths, 2 hinged jaw slides, 2 deck hinges, and all screws necessary for mounting. One pair to a package.

Slide Track Kit for Tops

Each aluminum slide track kit includes 2 slide tracks, 2 sliding deck hinges with combined slide locks, 2 side-mount sliding deck hinges with separate slide locks, 4 end caps and all necessary screws for mounting. One pair to each package.



Bimini Top Replacement Hold-Down Straps

Constructed of 1" black polypropylene webbing with heavy nickel-plated brass snap hook and stainless steel adjustable buckle. Available in two lengths. Packed in sets of four.



The Best Covers Under the Sun™

Carver produces quality Boat Covers, Personal Watercraft Covers and Bimini Tops. We take great pride in the craftsmanship and attention to detail that goes into all of our products.




For more information and information about additional products that Carver makes, call us at (864) 457-5820 or visit www.carvercovers.com.



Carver Square Tube Bimini Top with Zippered Sleeves Assembly and Installation Instructions

Carver Bimini Tops are a classy way to protect yourself and your boat from the elements. They also add style and color to your boat. These instructions make assembly and installation easy. Please read them carefully before beginning.

Caution! 

Please take extra care when unpacking and assembling your bimini top. Should you need to return the bimini top, it **MUST** be in its original, new condition. The bimini top canvas must be clean and dry, and free of debris (including pet hair). Frame components must not be scratched.



PARTS LIST:

<u>ITEM :</u>	<u>QUANTITY :</u>
No. 8 screws, 1/2" length	20
No. 10 screws, 1" length	12
Finish Washers	2
Long, metal side bow sections	2
Medium, metal side bow sections	2
Short, metal side bow sections	4
Center metal cross bow sections (equal length)	4
Black, 1" polypropylene hold-down straps	2
Bimini Top Canvas	1
Deck Hinges	2
Eye Straps	2
Optional Storage Boot	1
Brace Kit (pair) with following hardware	1
90° Deck Hinges for Brace Kit	2
Quick Release Pin w/ Lanyard & Eye	2

Minimum tools needed:
Drill with 9/64" bit, a Phillips head and a flat head screwdriver, pencil.
Also helpful: Tape measure or other measuring device.



Short, Medium, Long Metal Side Bow Sections



Center Metal Cross Bow Section



Polypropylene Hold-Down Straps



Universal Deck Hinges



Eye Straps



Stainless Steel Fasteners

Carver by Covercraft®
P.O. Box 399
Landrum, South Carolina 29356
(864) 457-5820

For your convenience,
Assembly and Installation Videos are
available on our website,
www.carvercovers.com



Carver products
are proudly
Made in the USA

These instructions show how to assemble the top, with its frame and straps, **starting upside down** and inverting to an upright position when attaching to your boat.

Step 1. Identify the hook shaped, long A-bow, medium B-bow, and short C-bow frame parts (as shown in figure 1). Assemble one A-Bow frame part and one of the centers by aligning the pre-drilled holes and fastening securely with the #8 x 1/2" screws provided (as shown in figures 2 & 3).

Step 2. Repeat this procedure for the medium and short bows, aligning the pre-drilled holes and securing them with #8 x 1/2" screws.

Caution: If screw heads become burred, cover heads with duct tape to avoid damage to canvas.

Step 3. Attach hold-down strap to each medium B-Bow. Pass looped end of the hold-down strap over the end of the B-Bow (as shown in figure 4). Be sure adjuster buckle is facing out. Use a #8 x 1/2" screw and one finish washer to fasten the strap to the bow at the pre-drilled hole (as shown in figures 5A and 5B). This is easily accomplished by positioning the strap over the pre-drilled hole and placing the finish washer around the shank of the screw before attaching. Note: Each long A-bow has a pre-installed jaw slide (as shown in figure 6A and 6B) to mount the rear braces (rather than a hold-down strap).

Step 4. Connect the ends of the medium B-bows to the jaw slides located at the ends of the long A-bows (as shown in figure 7).

Step 5. Connect the ends of one short C-bow to the remaining jaw slides on the long A-bow. Connect the ends of the other short C-bow to the jaw slides on the medium B-bow (as shown in figure 7). The jaw slides should allow the short C-bows to pivot, yet be tight enough to hold securely.

Step 6. Mount the brace kit by connecting the eye ends to the remaining jaw slides on the long A-bow (as shown in figure 7). Note: The braces are pre-fitted with deck hinges on the opposite ends for mounting to the rails on the boat.

Step 7. Spread the Bimini Top canvas out on a clean, flat surface with the bottom side up. The sewn-in label is located on the bottom (or inside) REAR of the canvas (as shown in figure 8). Unzip the sleeve zippers.

Step 8. Take the assembled frame and lay it on top of the canvas with the long A-bow to the rear (at the sewn-in label). Fasten the zippers on the sleeves over the short C-bows of the frame (as shown in figure 9). You are now ready to flip the bimini top right-side up and mount to the boat (see reverse).

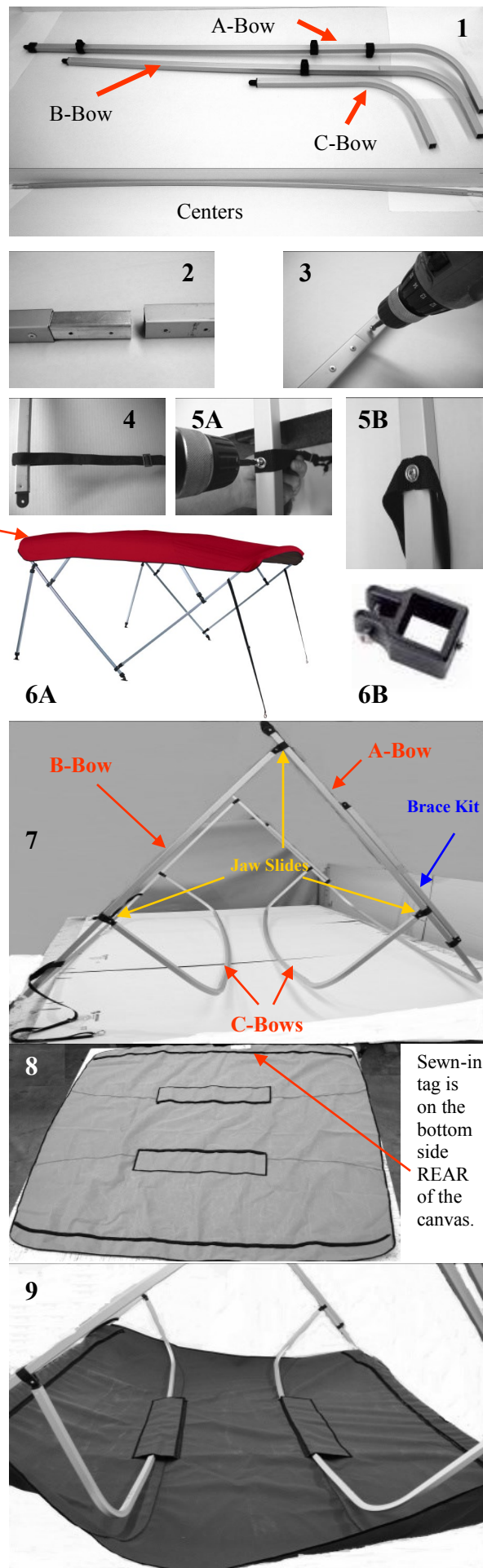
Additional Instructions for Buggy-Style Pontoon Top with Tails:

1. To fit tails properly, pull the tails straight down and mark the snap locations on the rails using a black marker.

2. Drill 1/8" hole where each snap location is marked on the rail. Install the supplied screw studs into each hole. Repeat for all snaps.

3. Snap tails to the rails.

(Note: the additional hardware (6 screw studs) is included in the canvas package.)





Installing the Bimini Top on the boat

Please Note: The process of assembling the bimini frame may cause the width of the frame to expand or retract at the mounting points. If the frame appears too wide or too narrow when you are ready to mount the top on the boat, simply mount one side and, with minimal force, push or pull the opposite side to fit the mounting point on the opposite side.

Step 1. The Bimini Top is now ready to be inverted and positioned on the boat. This is easier with two or more people, one to hold the top in place while another marks the positions of the deck hinges to be attached to the rails of the boat

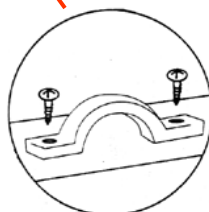
Step 2. Measure the marked position of the deck hinges for the main bow (long A-bow) carefully to make sure they are exactly opposite each other. If not aligned properly, the top may become warped or damaged and unstable while in use, or look unbalanced. Next, measure the marked positions for the deck hinges for the rear braces. These deck hinges should be located so that the braces attach to the boat rails at approximately 45° to 60° angles.

Step 3. Use a drill with a 9/64" bit to drill the pilot holes for the deck hinges. Secure the four deck hinges with the #10 x 1" sheet metal screws provided.

Step 4. Place top on boat, attaching the main bow (long A-bow) ends to the deck hinges securely. Raise the top to desired upright position and attach the ends of the rear braces to the deck hinges securely.

Step 5. Measure the marked position for the front hold-down straps by first adjusting the straps to a length that will attach to the boat rails at approximately 45° to 60° angles. Mark the position of the eye straps on the rails of the boat, measuring to make sure they are exactly opposite on each side of the boat. Use a drill with a 9/64" bit to drill the pilot holes for the eye straps. Secure the eye straps with the #10 x 1" sheet metal screws provided.

Step 6. Attach the snap hooks on the ends of the front hold-down straps to the eye straps and adjust the hold down straps as needed so that they are as tight as possible.



Eye Strap



Deck Hinge

Important note to Top Installer/User: Be sure all set screws, fittings and pre-installed hardware are tight. Vibration can cause screws to loosen over time. Check all fittings frequently and tighten as necessary.

CAUTION: Always fold down and secure bimini top in the stored position when trailering your boat.

Carver by Covercraft®
P.O. Box 399
Landrum, South Carolina 29356
(864) 457-5820

For your convenience, Assembly and Installation Videos are available on our website, www.carvercovers.com



Carver products are proudly Made in the USA

Square Tube Dual Pontoon Top Assembly & Installation



Please take extra care when unpacking and assembling your bimini top. Should you need to return the bimini top, it MUST be in its original, new condition. The bimini top canvas must be clean and free of debris (including pet hair). Frame components must not be scratched.

IMPORTANT: Bimini Top is packed in 2 boxes secured together for shipping. Main box (heavier box) contains components for the main, 4-bow section of the bimini top and all assembly and mounting hardware. Secondary box (lighter box) contains components for the 2-bow bimini top extension. Complete bimini top will provide 16-feet of coverage and is intended for boats 22-feet and larger.

Before beginning, please make sure all parts listed below are included in your **main Bimini Top package**:

No. 8 X ½" screws:	30	Long metal side-bow sections <i>with braces</i> :	2
No. 10 X 1" screws:	20	Medium metal side-bow sections:	2
Finish Washers:	2	Short metal side-bow sections:	4
Universal Deck Hinges:	4	Center metal cross-bow sections:	4
90° Deck Hinges drilled for Quick Release Pin:	4	Bimini Top canvas w/ storage boot:	1
Quick Release Pin with lanyard and eye:	4	Rivets*:	2
Eye Straps:	2		
Black 1" polypropylene hold-down straps:	2		

**refer to bottom of Page 2 for usage instructions*

Before beginning, please make sure all parts listed below are included in your **secondary Bimini Top package**:

Long metal side-bow sections (<i>with pre-installed braces</i>):	2
Medium metal side-bow sections:	2
Center metal cross-bow sections:	2
Bimini Top canvas w/ storage boot:	1

Minimum tools needed: Drill with 9/64" bit, a Phillips head and a flat head screwdriver, pencil, tape measure.



Screws,
Finish Washers



Universal Deck Hinge:



90° Deck Hinge for
Quick Release Pin



Eye Straps



Hold-Down Straps



Quick Release
Pins



Short, Medium and Long
Metal Side Bow Sections.
*Note: Long Bow sections
have pre-installed braces
attached.*



Center Metal Cross Bow
Sections

Begin assembly with the main 4-bow bimini top. These instructions show how to assemble the top, with its frame and straps, starting **upside-down** and inverting to an upright position when attaching to your boat.

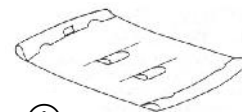
Step 1. Spread the bimini top canvas out on a flat, clean area with the bottom side up. Sewn-in label indicates the bottom, or inside, and the back (rear) of the top.

Step 2. Identify the hook-shaped long, medium and short bow side frame sections. Using the long side bow sections and one of the center cross bow sections, assemble as shown by aligning the pre-drilled holes. Use the ½" No. 8 screws to connect the bow sections securely.

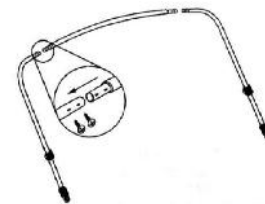
Step 3. Repeat this procedure for the medium and short bows, aligning the pre-drilled holes and securing them with the ½" No. 8 screws.

Caution: If the screw heads become burred, file down the screw heads to avoid damage to canvas.

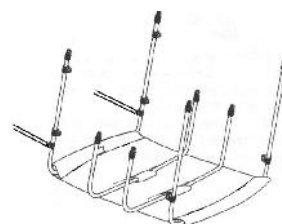
Step 4. With bows assembled, first insert the MEDIUM bow into the FRONT sleeve (this is the sleeve **opposite** the end with the sewn-in label). Note the position of the Jaw Slides and the single pre-drilled holes on the bow frame. The pre-drilled holes should be facing in. Pass the two short bows through the two small sleeves in the center of the canvas. Insert the long bow in the back (rear) sleeve so that the pre-attached braces swing outward to the back (rear).



①



②



③

Continued on Reverse

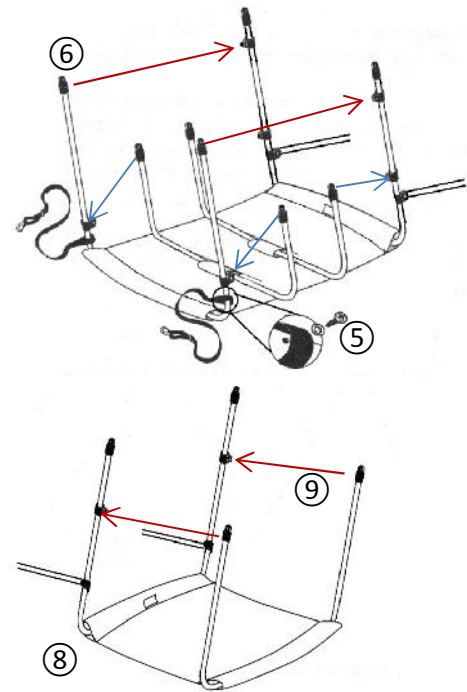
Step 5. Pass the looped end of each hold-down strap over each end of the medium (front) bow. Use a ½" No. 8 screw to fasten strap to bow frame at each pre-drilled hole position as shown. Position strap over hole and insert screw, with finish washer, through center of strap and into pre-drilled hole.

Step 6. Connect medium bow frame ends to the jaw slides closest to the ends of the long bow frame. Next, connect short frame ends to the second set of jaw slides on the long bow frame. Last, connect the other short frame ends to the jaw slides on the medium bow frame. **Note: Jaw slides should allow short bows to pivot, but be tight enough to hold securely.**

Step 7. Proceed to the parts in the secondary box. Spread the bimini top canvas on a flat, clean area with the bottom side up. The sewn-in label indicates the bottom, or inside, and the **front** of the top that will face the bow of the boat. Refer to Steps 2 and 3 to assemble the long and medium bows.

Step 8. With bows assembled, first insert the long bow into the front sleeve (the sleeve nearest the sewn-in label), making sure the pre-installed braces are facing forward/outward. Next, insert the medium bow into the rear sleeve.

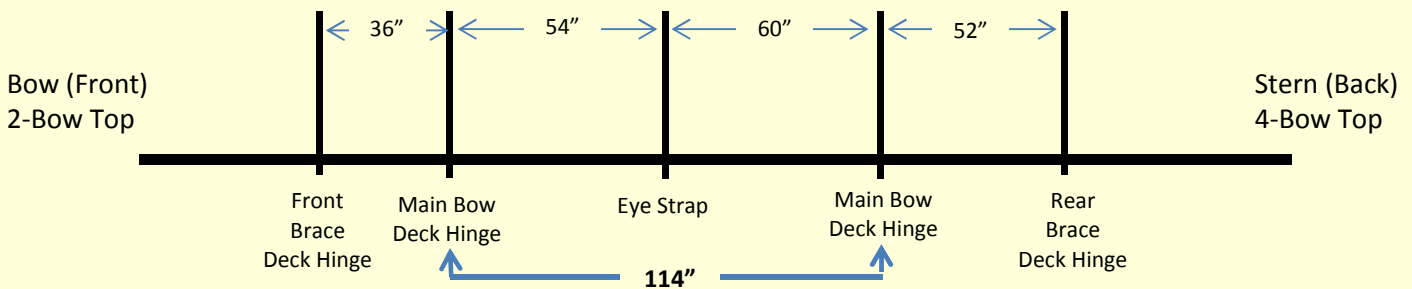
Step 9. Connect medium bow frame ends to the jaw slides on the long bow. You are now ready to mount the bimini tops on the boat.



Installing the Bimini Tops on the Boat



The following diagram is important to help you mount the bimini tops in the most desirable and functional position. All measurements provided are on-center of all deck hinges and eye straps. Pencil all locations before attempting installation so that changes can be made if desired. Since the locations of side gates can vary by boat brand and model, adjustments may be necessary to avoid side gates when mounting the bimini tops.



The main (long) bow of each bimini top must be mounted 114" apart or the two bimini tops will not properly join.

Step 1. Begin with the main 4-bow bimini top. Invert the top to the upright position. This is easier with two (or more) people, one to hold the top in place and the other to mark the positions of the deck hinges to be attached to the rails of the boat. Measure the marked positions of the hinges carefully being sure to follow the chart above **especially for the distance between the main bow of each top. The main bows must be 114" apart on-center to ensure that the two tops will join properly.** Also, take care to check that the markings for the hinges are exactly opposite each other on port and starboard sides. If hinges are not aligned properly, the top may become warped or damaged and unstable while in use, or look unbalanced.

Step 2. Use a drill with a 9/64" bit to drill the pilot holes for the universal deck hinges. Secure the deck hinges with 1" No. 10 screws. Mount the main bow to the universal deck hinges by removing the screw, inserting the eye end, and replacing the screw securely in the universal deck hinges.

Step 3. Repeat Steps 1 and 2 to attach eye straps to rails. With the top in the desired upright position, adjust each hold-down strap to a length that will attach **tightly** to the eye straps. Attach straps to eye straps with the snap hook at the end of each strap. Adjust straps to tighten further if necessary. It is important that straps are very tight.

Step 4. Retrieve the quick release pins from the hardware pack. Place the eye (loop) at the end of the cable underneath the screw hole of each 90° deck hinge for the rear braces. Repeat Steps 1 and 2 to secure the 90° deck hinges, being sure the screw passes through the eye. This will prevent the quick release pins from getting lost. Secure the rear braces to the deck hinges with the quick release pins.

Step 5. Mount the 2-bow bimini top. Repeat Steps 1 and 2 to attach the universal deck hinges and mount the main bow.

Step 6. Zip the two canvases together. **IMPORTANT: DO NOT ATTEMPT TO MOUNT THE FRONT BRACES WITHOUT FIRST ZIPPING THE CANVASES TOGETHER.** This could result in difficulty or inability to get the canvases to join.

Step 7. Mount the front braces by repeating Step 4. NOTE: In some cases it may be desirable to reduce the length of the front braces to achieve a tighter-fitting front canvas. Aluminum braces may be cut down with a hacksaw. Two spare rivets are included for this application.

CAUTION: ALWAYS FOLD DOWN AND SECURE BIMINI TOPS IN THE STORED POSITION WHEN TRAILERING YOUR BOAT.



Universal Tower Bimini Top Parts List (UPS-Able)

Item	Quantity Per Top	Quantity with Single Brace Option	Quantity with Double Brace Option
No. 8 screws, 1/2" length	16	16	16
No. 10 screws, 1" length	8	4	0
Finish washers	4	2	0
Long, metal side bow sections	2	2	2
Medium, metal side bow sections	2	2	2
Short, metal side bow sections	2	2	2
Center metal cross bow sections	3	3	3
Black polypropylene hold-down straps	4	2	0
Bimini Top Canvas	1	1	1
Bimini Top Storage Boot	1	1	1
Tower Clamps	2	4	6
Rubber Gaskets	2	4	6
Thumb Screws	2	4	6
1/4" Spacer (used with thumb screws)	2	4	6
Allen Wrench	1	1	1
Eye straps	4	2	0
24-inch aluminum braces	0	2	4
Hinged jaw slides	0	2	4

Carver by Covercraft®
P.O. Box 399
Landrum, South Carolina 29356
(864) 457-5820

www.carvercovers.com



**Proudly Made
in the USA**



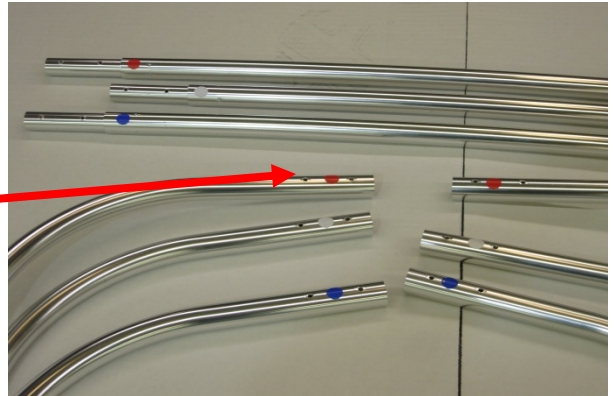
CARVER
by COVERCRAFT

Universal Tower Bimini Top Assembly Instructions

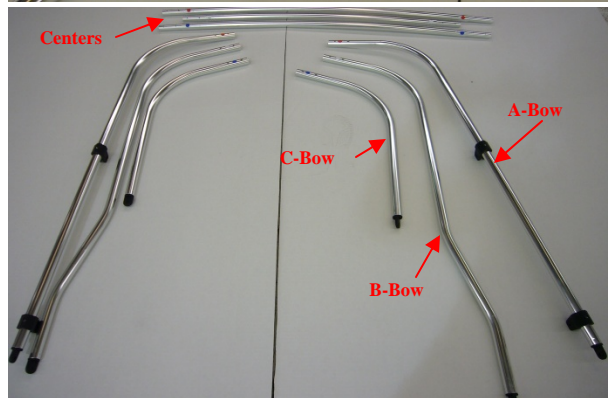
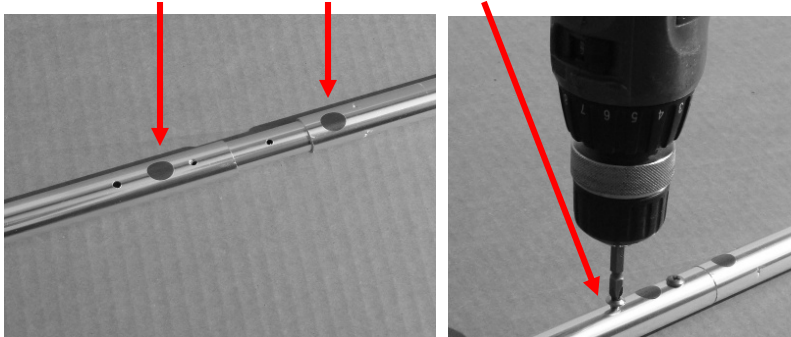
These instructions show how to assemble the top, with its frame and straps, **starting upside down** and inverting to an upright position when attaching to your boat.

Step 1. Spread the Bimini Top metal out on a flat, clean surface.

- All bow's are color coordinated with stickers.
- A-Bow- Red
- B-Bow- White
- C-Bow- Blue



Step 2. Identify the hook-shaped, long (A-bow), medium (B-bow), and short (C-bow) side frame parts. Using the 2- A-bow side frame parts, and the center (red sticker) for the A-bow, assemble the side bow and center bow parts as shown, aligning the pre-drilled holes. Matching the colored stickers, use the #8 x 1/2" screws to connect the bow parts securely.



Step 3. Repeat this procedure for the medium (B-bow) and short (C-bow) , aligning the pre-drilled holes and securing them with #8 x 1/2" screws.

Caution: If screw heads become burred, cover heads with duct tape to avoid damage to canvas.



Step 4. Pass looped end of each hold-down strap over each end of the long (A-bow) and medium (B-bow). Use a #8 x 1/2" screw to fasten strap to bow frame at each pre-drilled hole position as shown. Position strap over hole and insert screw, with finish washer, through center of strap and into pre-drilled hole. Be sure the adjuster buckle is facing out.

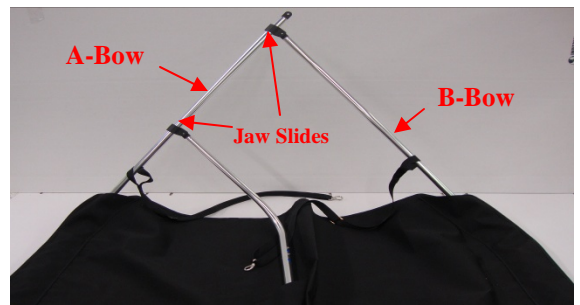
Step 5. With bows assembled, first pass long (A-bow) assembly through sleeve at the rear of the top. (This is the sleeve with the sewn-in tag.) Be sure jaw slides are facing down.

Pass the short (C-bow) assembly through the small center sleeve.



Step 6. Pass the medium (B-bow) assembly through the sleeve at the front of the top. Be sure screws for hold-down straps are facing down.

Step 7. Connect short (C-bow) frame ends to jaw slides on each side of long (A-bow) frame. Repeat for medium (B-bow) frame ends as shown. Jaw slides should allow short (C-bows) to pivot, but be tight enough to hold securely.





Universal Tower Bimini Top Installation Instructions

1. Place the folded bimini top in the storage boot.
2. Using the straps on the boot, secure the bimini to the top of the tower adjusting the straps to the desired storage height (typically beneath the speakers, if applicable).
3. Prepare to install the tower clamps. Clamps are standard 2-3/8" inside diameter. A 3-foot length of black rubber gasket is provided for each clamp. If the diameter of your tower is smaller than 2-3/8", wrap a sufficient amount of rubber gasket around the tower so that the clamp will fasten tightly around the tower leg. For 1-7/8" diameter towers, the entire 3-foot length of gasket will be used. For 2-3/8" tower diameter, a single wrap of gasket will help prevent the clamp from scratching the tower.
4. Using the Allen wrench provided, install the tower clamps on the rear tower legs parallel to the bottom fittings on the bimini frame. The tower clamps should be positioned with the thumb screw facing the inside of the boat. Since no drilling is required, the tower clamps may easily be adjusted as needed.
5. Using the thumb screws and 1/4" spacers provided, attach the bimini to the tower clamps and disconnect the boot straps so that the bimini drops to the rear. Note: Each spacer should be positioned so that it rests against flat side of the tower clamp. This allows the eye end to rotate freely on the thumb screw.
6. Unzip the boot and deploy the bimini. Pivot the bimini upward to install the adjustable hold-down straps located at each corner of the bimini top.
7. Mark the position of the eye straps on the gunnel of the boat, measuring to make sure they are exactly opposite each other on each side of the boat. The position of the eye straps should be such that 45 to 90 degree angles are formed with the front and rear bow (a wide letter "M" as shown) when the hold-down straps are secured. Be sure to leave room for strap adjustment!
8. Use a drill with a 9/64" bit to drill the pilot holes for the eye straps. When drilling into fiberglass, be sure to hollow out the pilot holes slightly with the drill bit. Secure the eye straps with the No. 10 x 1" sheet metal screws provided. Attach the hold-down straps to the eye straps.
9. Adjust the bimini to the desired position by adjusting the front and rear hold-down straps. Make sure the canvas is as taut as possible to prevent loose fabric from whipping in the wind.
10. If you ordered brace options with your tower bimini, the braces are easy to adjust and install. All braces are 24" long, standard. To reduce the length of a brace, simply remove the eye end by loosening the set screw. Cut the brace to the desired length using a hacksaw and replace the eye end. Fasten the hinged jaw slide to the frame by tightening the set screw, and secure the eye end to the bolt on the jaw slide. Attach the opposite end of the brace to the tower with the tower clamp, spacer and thumb screw (refer to Step 5), thumb screws toward the inside of the boat.



Tower Bimini, Stored Position



Placement of the hold-down straps should form the letter "M". Straps should form a 45 to 90 degree angle with each bow.



Optional braces are easy to adjust and install.

Carver by Covercraft®
P.O. Box 399
Landrum, SC 29356
(864) 457-5820

www.carvercovers.com



Universal Tower Bimini Top Parts List (Pre-Assembled)

Item	Quantity Per Top	Quantity with Single Brace Option	Quantity with Double Brace Option
No. 10 screws, 1" length	8	4	0
Black polypropylene hold-down straps	4	2	0
Bimini Top Canvas	1	1	1
Bimini Top Storage Boot	1	1	1
Tower Clamps	2	4	6
Rubber Gaskets	2	4	6
Thumb Screws	2	4	6
¼" Spacer (used with thumb screws)	2	4	6
Allen Wrench	1	1	1
Eye straps	4	2	0
24-inch aluminum braces	0	2	4
Hinged jaw slides	0	2	4

Carver by Covercraft®
P.O. Box 399
Landrum, South Carolina 29356
(864) 457-5820

www.carvercovers.com



**Proudly Made
in the USA**



Universal Tower Bimini Top Installation Instructions

CARVER
by **COVERCRAFT**®

1. Using the straps on the boot, secure the bimini to the top of the tower adjusting the straps to the desired storage height (typically beneath the speakers, if applicable).
2. Prepare to install the tower clamps. Clamps are standard 2-3/8" inside diameter. A 3-foot length of black rubber gasket is provided for each clamp. If the diameter of your tower is smaller than 2-3/8", wrap a sufficient amount of rubber gasket around the tower so that the clamp will fasten tightly around the tower leg. For 1-7/8" diameter towers, the entire 3-foot length of gasket will be used. For 2-3/8" tower diameter, a single wrap of gasket will help prevent the clamp from scratching the tower.
3. Using the Allen wrench provided, install the tower clamps on the rear tower legs parallel to the bottom fittings on the bimini frame. The tower clamps should be positioned with the thumb screw facing the inside of the boat. Since no drilling is required, the tower clamps may easily be adjusted as needed.
4. Using the thumb screws and 1/4" spacers provided, attach the bimini to the tower clamps and disconnect the boot straps so that the bimini drops to the rear. Note: Each spacer should be positioned so that it rests against flat side of the tower clamp. This allows the eye end to rotate freely on the thumb screw.
5. Unzip the boot and deploy the bimini. Pivot the bimini upward to install the adjustable hold-down straps located at each corner of the bimini top.
6. Mark the position of the eye straps on the gunnel of the boat, measuring to make sure they are exactly opposite each other on each side of the boat. The position of the eye straps should be such that 45 to 90 degree angles are formed with the front and rear bow (a wide letter "M" as shown) when the hold-down straps are secured. Be sure to leave room for strap adjustment!
7. Use a drill with a 9/64" bit to drill the pilot holes for the eye straps. When drilling into fiberglass, be sure to hollow out the pilot holes slightly with the drill bit. Secure the eye straps with the No. 10 x 1" sheet metal screws provided. Attach the hold-down straps to the eye straps.
8. Adjust the bimini to the desired position by adjusting the front and rear hold-down straps. Make sure the canvas is as taut as possible to prevent loose fabric from whipping in the wind.
9. If you ordered brace options with your tower bimini, the braces are easy to adjust and install. All braces are 24" long, standard. To reduce the length of a brace, simply remove the eye end by loosening the set screw. Cut the brace to the desired length using a hacksaw and replace the eye end. Fasten the hinged jaw slide to the frame by tightening the set screw, and secure the eye end to the bolt on the jaw slide. Attach the opposite end of the brace to the tower with the tower clamp, spacer and thumb screw (refer to Step 5), thumb screws toward the inside of the boat.



Tower Bimini, Stored Position



Placement of the hold-down straps should form the letter "M". Straps should form a 45 to 90 degree angle with each bow.



Optional braces are easy to adjust and install.

Carver by Covercraft®
P.O. Box 399
Landrum, SC 29356
(864) 457-5820

www.carvercovers.com